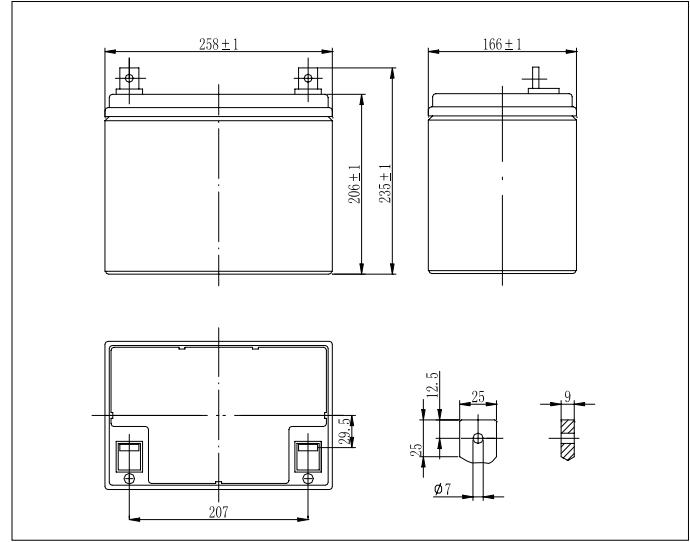


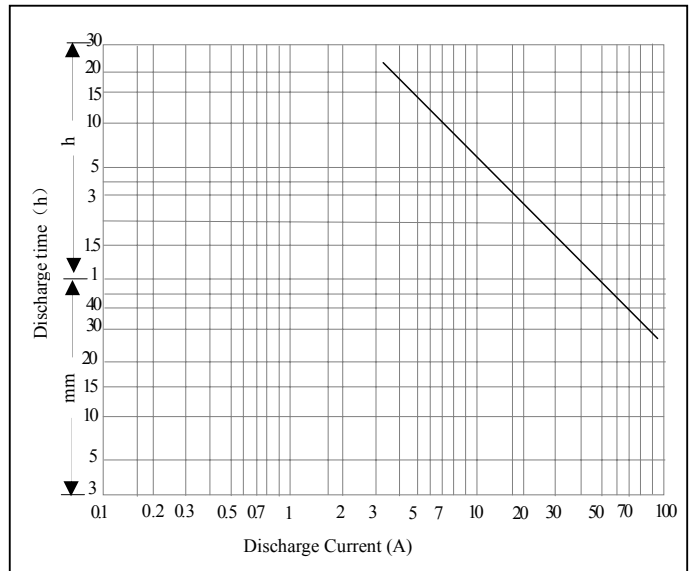
**2M-1270G 12V-75AH GEL RECHARGEABLE SEALED LEAD-ACID BATTERY**

**Specifications**

Nominal voltage		12V
Rated Capacity (20 hour rate)		75Ah
Dimensions	Height	9.25inches(235mm)
	Length	10.16inches(258mm)
	Width	6.54inches(166mm)
Weight		Approx. 52.90Lbs(24000g)



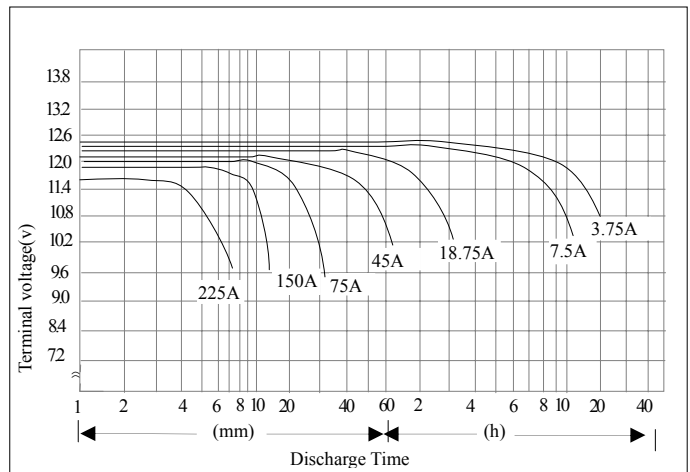
**Discharge Current & Discharge Duration Time 77°F(25°C)**



**Characteristics**

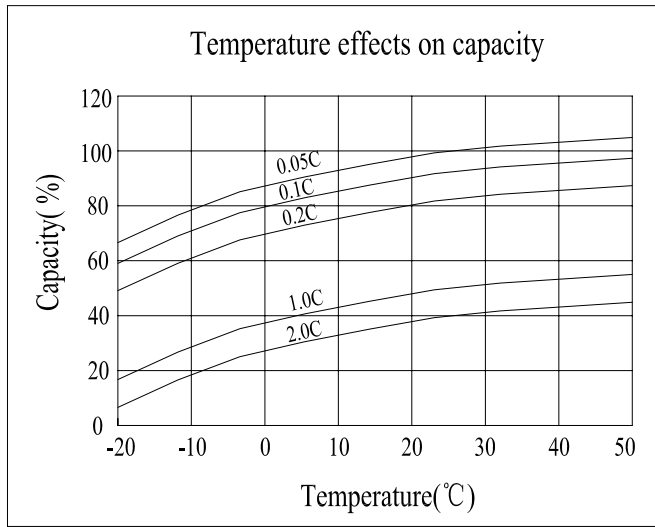
Capacity	20 hour rate	75.8Ah
	10 hour rate	68.2Ah
	5 hour rate	64.4Ah
	1 hour rate	46.2Ah
	77°F(25°C)	
Internal Resistance	Full charged Battery 77°F(25°C)	11.5mΩ
Capacity affected by Temperature (20 hour rate)	113°F(45°C)	102%
	77°F(25°C)	100%
	32°F(0°C)	85%
	5°F(-15°C)	65%
Self-Discharge 77°F(25°C)	Capacity after 3 month storage	94%
	Capacity after 6 month storage	88%
	Capacity after 12 month storage	66%
Charge (Constant Voltage)	Cycle	Initial Charging Current less then 15A Voltage 14.5~14.9V/12V 77°F(25°C)
	Float	Voltage 13.5~13.8V/12V 77°F(25°C)

**Discharge curves 77°F(25°C)\***

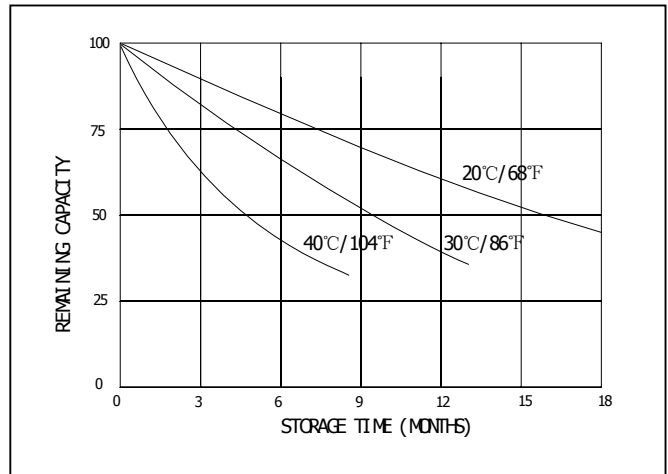


\* The above data are average values and can be obtained within

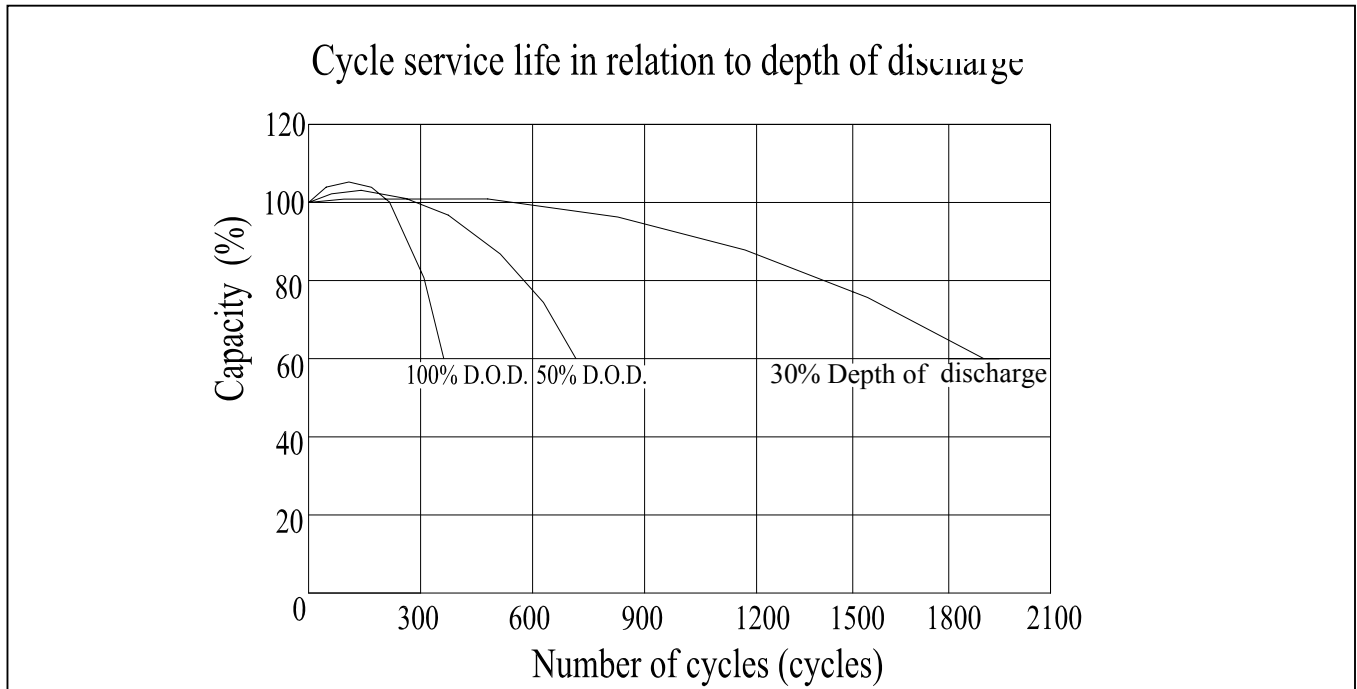
■ SELF-DISCHARGE CHARACTERISTICS



■ SELF-DISCHARGE CHARACTERISTICS



■ CYCLE SERVICE LIFE(25°C/77°F)



**2M-1270G 12V-75AH GEL Constant Power Discharge Data**

Time F.V.	Autonomy in minutes										Autonomy in hours						
	3	5	10	15	20	25	30	35	40	45	1	2	3	5	8	10	20
1.60	569	380	271	215	179	154	137	124	114	103	84	51	37	25	16.8	13.1	7.1
1.65	555	375	267	212	176	152	135	123	113	102	83	50	36	24	16.6	13.0	7.0
1.70	537	361	262	207	173	149	131	119	112	100	82	49	36	24	16.3	12.7	7.0
1.75	508	344	254	198	167	144	128	116	109	97	81	48	35	23	15.8	12.5	7.0
1.80	473	315	238	179	159	137	123	110	103	93	75	46	33	23	15.4	12.3	7.0