



Sealed Lead Acid Rechargeable Battery

General Application

12VC1.3 is a general purpose battery with 3~5 years in standby service or more than 400 cycles at 50% depth of discharge in cycle service.

Unit Specification

• NOMINAL VOLTAGE	: 12 V
• NOMINAL CAPACITY(20 hr)	: 1.3 Ah
• DIMENSIONS	
TOTAL HEIGHT	: 59 mm (2.32 inches)
CONTAINER HEIGHT	: 52 mm (2.05 inches)
LENGTH	: 97 mm (3.82 inches)
WIDTH	: 43 mm (1.69 inches)
• NET WEIGHT(UNIT)	: APPROX 0.56 Kg (1.23 lbs)
• CONTAINER MATERIAL	: UL94HB ABS
	: UL94V-0 ABS
• INTERNAL RESISTANCE(25°C , 77 °F)	: ~80mΩ
• DISCHARGE CAPACITY UNDER DIFFERENT TEMPERATURES	
40°C	: ~102%
25°C	: ~100%
0 °C	: ~85%

Characteristics

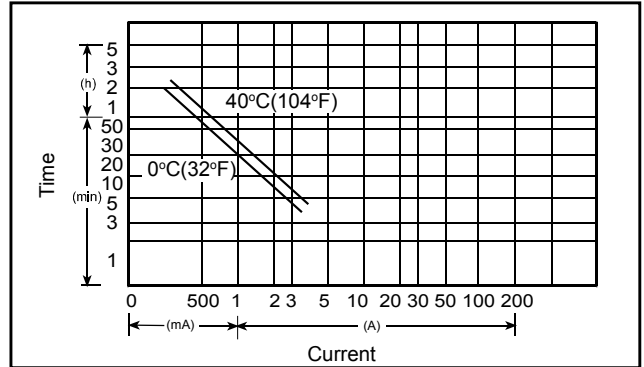
• CAPACITY 25 °C / 77 °F	
20 hr @ 0.065 A	: 1.3 Ah
5 hr @ 0.208 A	: 1.04 Ah
1 hr @ 0.78 A	: 0.78 Ah
1 C @ 1.3 A	: 0.65Ah
• CHARGING VOLTAGE (25°C , 77 °F)	
STANDBY USE	: 13.65V ±0.15 V
CYCLE USE	: 14.7 V ±0.3V
• MAX DISCHARGE CURRENT	: 20 A (5 sec)
• MAX CHARGING CURRENT	: 0.39 A
• SELF-DISCHARGE RESIDUAL CAPACITY	
AFTER 3 MONTHS	: ~90%
AFTER 6 MONTHS	: ~82%
AFTER 12 MONTHS	: ~70%

Packaging and Weights

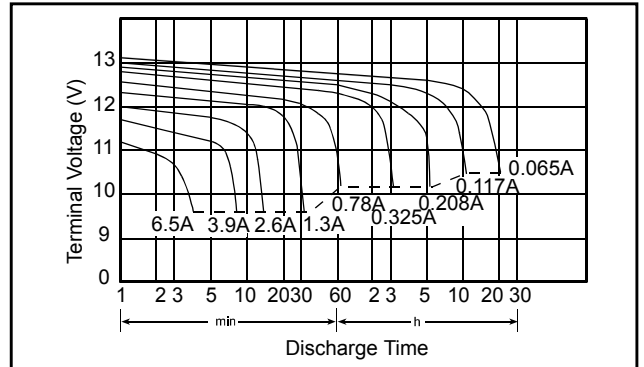
• CASE LOT SIZE	: 20Pcs
• NET WEIGHT(UNIT)	: 0.56Kg (1.23lbs)
• GROSS WEIGHT(CASE SIZE)	: 12.20Kg (26.90lbs)

12VC1.3 12V1.3Ah

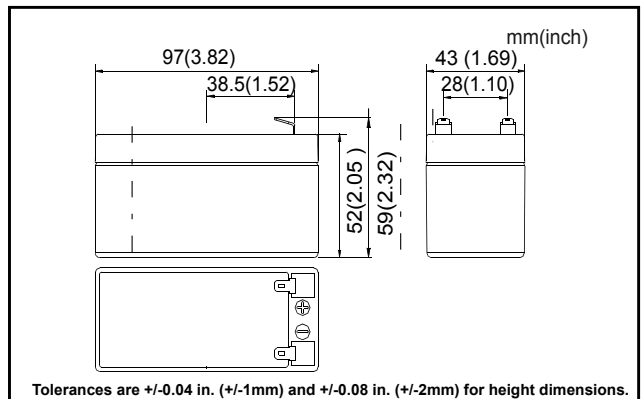
Discharge Current vs Time



Discharge Characteristics @25 °C (77 °F)



Dimensions



Terminal

